

Restroom Deadbolt Indicator (RDI)

For use with Schlage B Series and Falcon D series Single Cylinder Deadbolt

These directions are supplemental to the deadbolt manufacturer's directions. Follow the manufacturer's directions for proper milling of the door for the deadbolt. Then return to these for assembling the deadbolt with the RDI. If you need the manufacturer's directions, visit our website.

Visit our website for additional assistance with your installation.



! FIRE RATED DOORS !

The RDI can not be used on fire rated openings.



DO NOT INSTALL FIRE CUP

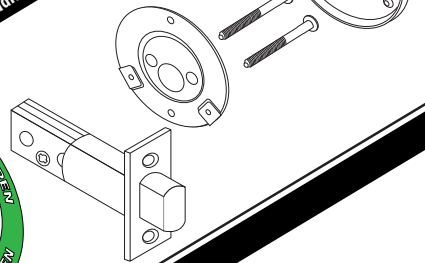
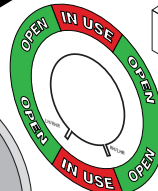
METAL SHIELD

DO NOT INSTALL

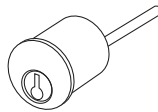
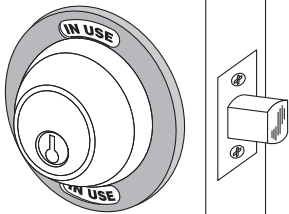


Schlage B660P

Maximum Door thickness: 1-3/4" (Up to 2-1/4" with included additional parts)

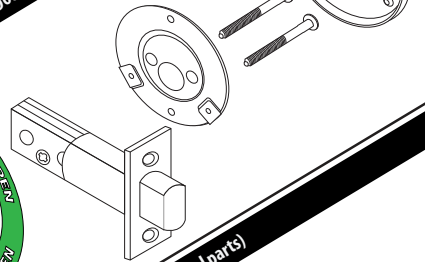
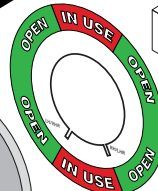


Standard Cylinder

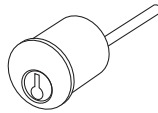
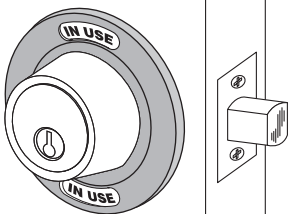


Schlage B560P & Falcon D141P & Falcon D241P

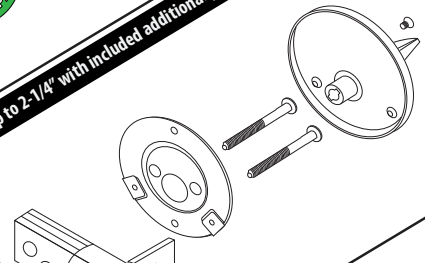
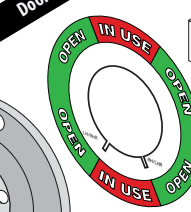
Maximum Door thickness: 1-3/4"



Standard Cylinder

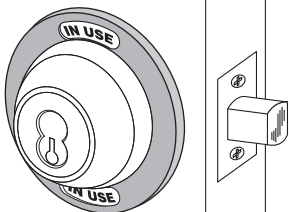


Schlage B660R (FSIC) & B660BD (SFIC)

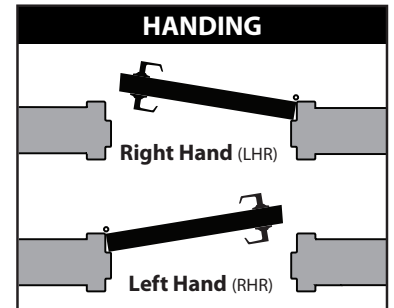


Interchangeable Core

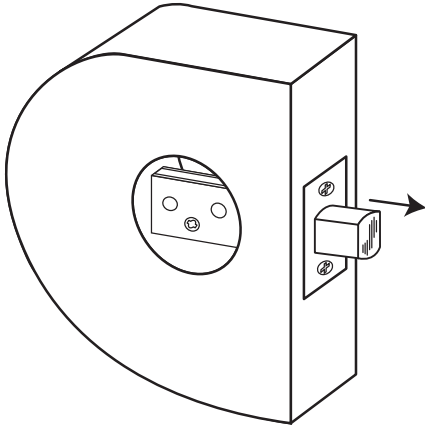
* Schlage B660 Recommended



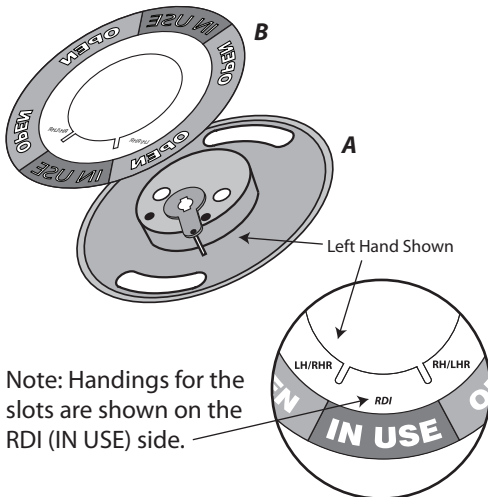
* IC Collar D
Included with
the RDI



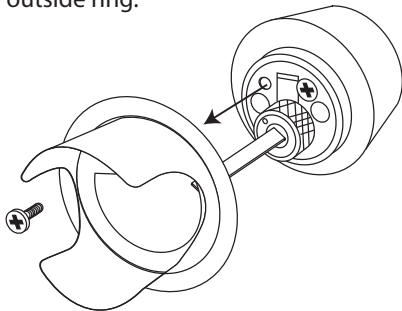
- 1**
- Machine door per deadbolt instructions.
 - Install bolt in door. Follow manufacturer's directions.
 - **Throw the bolt so it is extended in the locked position.**



- 2**
- Install indicator ring into the appropriate slot for the door handing.
 - See handing chart on front page.



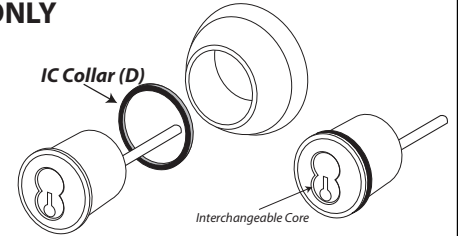
- 3** Schlage B560 & Falcon D141P / D241P
- Unscrew, remove, and set aside outside ring.



4 Interchangeable Cores (IC) ONLY

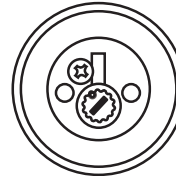
Schlage B660R (FSIC) & B660BD (SFIC)

Deadbolts with IC cores require the use of the IC Collar **D** (included with the RDI). Install the IC Collar on the deadbolt cylinder housing before assembling deadbolt.



- 5**
- Adjust cams on the back of the deadbolt cylinder.
 - See diagrams above.

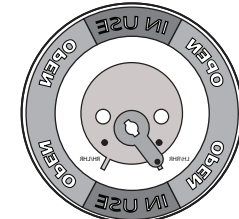
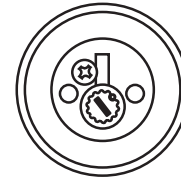
Right Hand (LHR)



- Turn indicator cam so it reads **IN USE**.

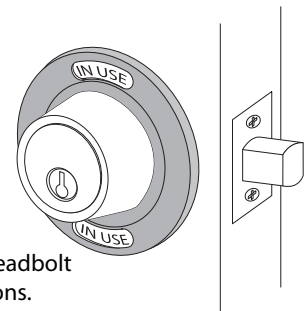
- Install deadbolt body into indicator body.

Left Hand (RHR)



- 6**
- Install deadbolt body and Indicator into door.
 - Install mounting plate and deadbolt screws and **lightly** tighten.
 - Slide indicator body up and down until key operates smoothly. Tighten screws.

Finish installation per deadbolt manufacturer's directions.



Use extra long screws only for doors thicker than 1-3/4".



*Requires 3/16" Allen Wrench

! DO NOT OVER TIGHTEN SCREWS !

Overly tightened screws can cup the face of the indicator body and will result in malfunction of the indicator and void of warranty.

TECH NOTES: RDI

Problem: When the Restroom Indicator Deadbolt is assembled, the indicator disk will not flip between OPEN and IN USE. It stops in between.

Scan the QR code for an explanation and solution.

