

Egress Deadbolt Indicator (EDI)

For use with Schlage **B62N** Series Single Cylinder Deadbolt

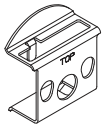
These directions are supplemental to the deadbolt manufacturer's directions. Follow the manufacturer's directions for proper milling of the door for the deadbolt. Then return to these for assembling the deadbolt with the EDI. If you need the manufacturer's directions, visit our website.

Visit our website for additional assistance with your installation.



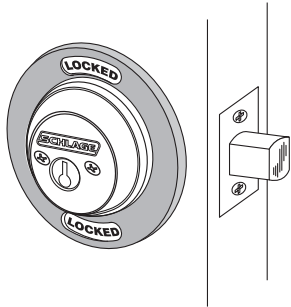
! FIRE RATED DOORS !

The EDI can not be used on fire rated openings.



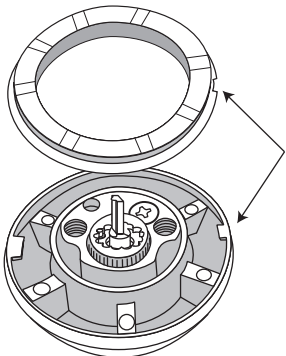
DO NOT INSTALL FIRE CUP

Standard Cylinder



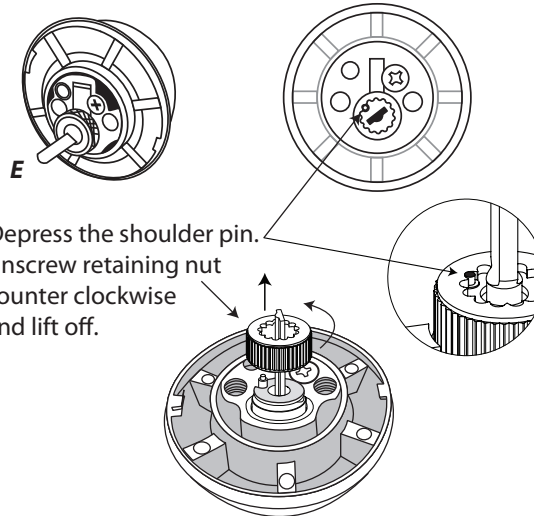
1

- On the back of the inside deadbolt (the one with the screw holes going all the way through the deadbolt body) spin the back ring until the small notch and tab line up.
- Lift off the back ring and set aside. It is not needed for this installation.



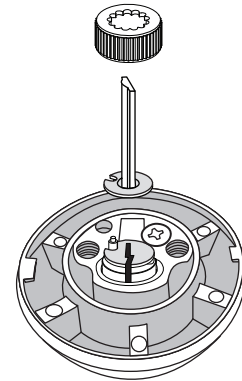
2

- Change the tailpiece (E) out on the back of the INSIDE cylinder.
- The required tailpiece (E) measures 1 inch. Included in the EDI hardware pack.

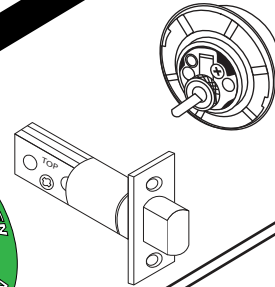
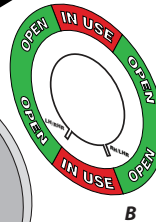
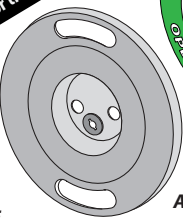
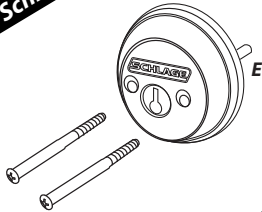
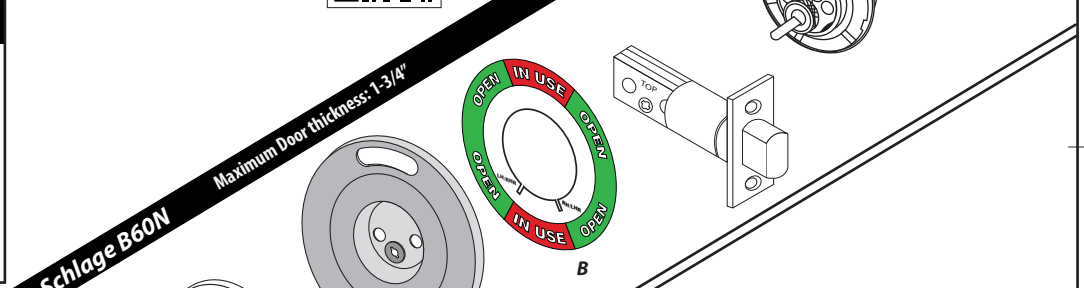
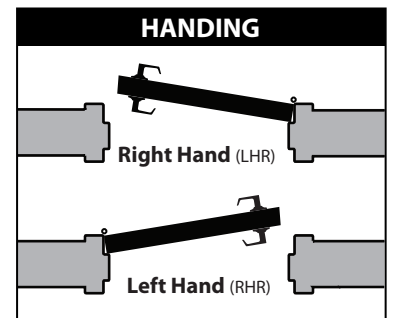


- Depress the shoulder pin. Unscrew retaining nut counter clockwise and lift off.

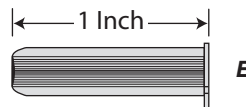
- Install 1" tailpiece. Screw on retaining nut while pressing shoulder pin.



- Insert key into the cylinder and operate. Insure that the retaining nut is not too tight. If too tight, press shoulder pin and unscrew retaining nut by one or two notches.

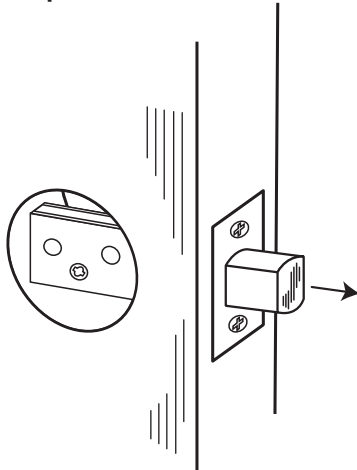


For video assistance with this step scan the QR Code



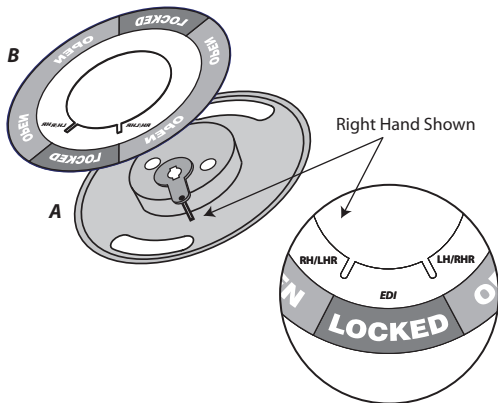
3

- Machine door per deadbolt Instructions.
- Install bolt in door. Follow manufacturer's directions.
- **Throw the bolt so it is extended in the locked position.**



4

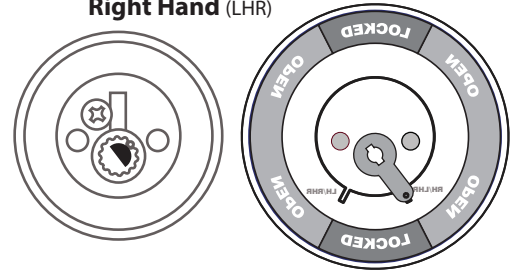
- Install indicator ring into the appropriate slot for the door handing.
- See handing chart on front page.



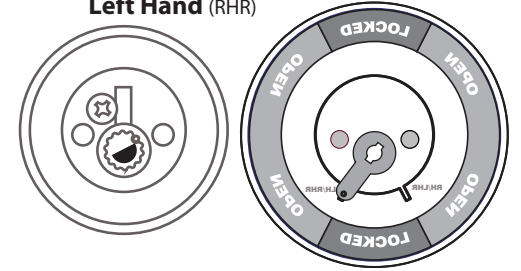
5

- Adjust tailpieces on the back of the **Inside Cylinder**.
- Turn indicator tailpiece so it reads **LOCKED**.
- Install inside deadbolt body into indicator body.

Right Hand (LHR)

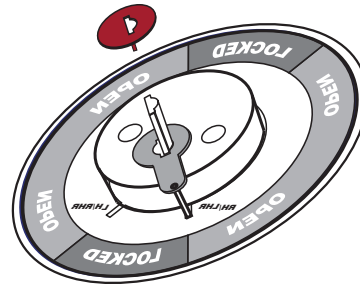


Left Hand (RHR)

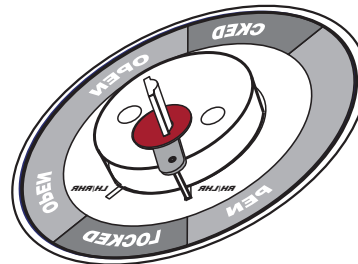


6

- Install red spacer disk over cam with tab facing down.

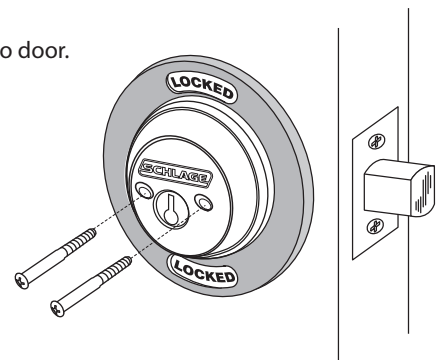


- Press down and seat flat on indicator cam.



7

- Install outside deadbolt body into the door. Install inside deadbolt body and indicator into door.
- Install long screws and tighten lightly.
- Adjust deadbolt body and indicator until key operates smoothly. Tighten screws.
- Finish installation per deadbolt manufacturer's directions.
- Mount sign above door.



IBC 2015 **THIS DOOR TO REMAIN UNLOCKED WHEN THIS SPACE IS OCCUPIED**