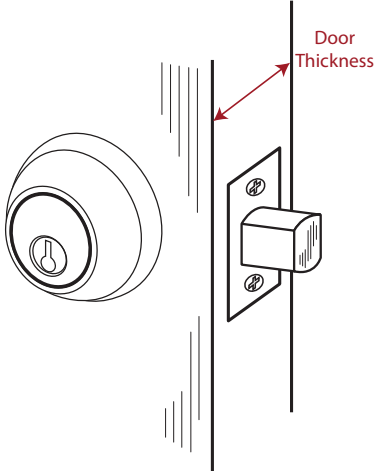


# TECH NOTES: RDI & EDI



**Problem:** Measuring a door thickness

**Reason:** The thickness of your door determines which deadbolt model will work with the Restroom Deadbolt Indicator (RDI) and the Egress Deadbolt Indicator (EDI).

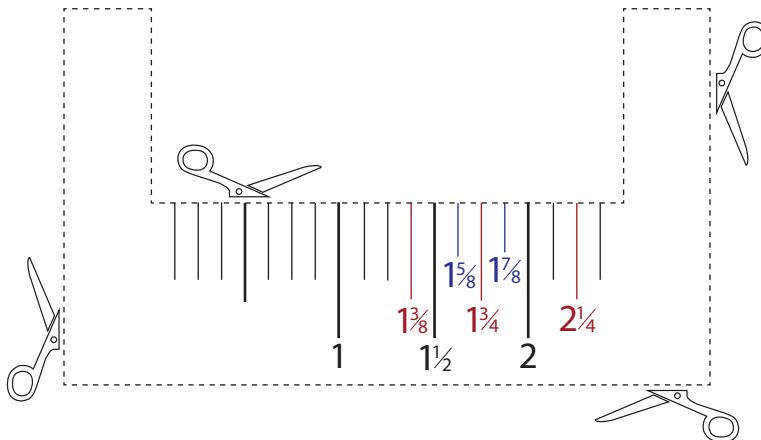
DO NOT SCALE

VERIFY SCALE



or Fold Here

or Fold Here



Most doors have a 3 degree bevel on their leading edge. This makes getting an accurate measurement of the door thickness difficult.

