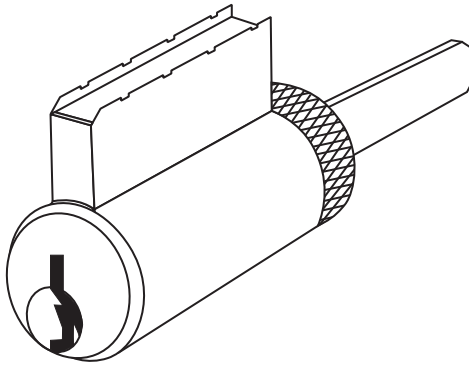


TECH NOTES: EDI

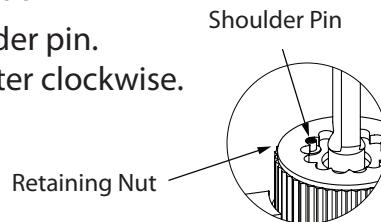
The Use of Compatible Key-In-Deadbolt Cylinders



Any key-in-deadbolt cylinder that is compatible with the Schlage or Falcon deadbolts can be used successfully in conjunction with the Egress Deadbolt Indicator (EDI). The use of these cylinders will allow most users to successfully integrate the EDI into their project while maintaining the facility's key system.

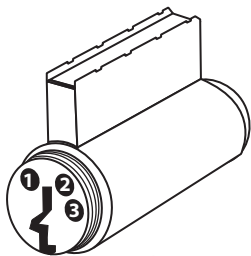
1 Removing the Retaining Nut

- While Depressing the shoulder pin. Unscrew retaining nut counter clockwise.



- Some cylinders will have two shoulder pin holes. Some will have only one. Determine which shoulder pin hole will work best with the tailpieces you have available.
 - Schlage cylinders have hole 2
 - Ilco & General cylinders have hole 1
 - GMS cylinders have holes 1 and 3

OUTSIDE CYLINDER



| | Ilco DL | GMS | AO | Schlage |
|--|---------|-----|----|---------|
| | | | | |

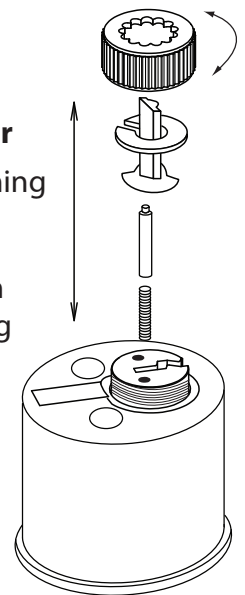
| INDICATOR SIDE CYLINDER | HOLE | | | | |
|-------------------------|---------|-----|-----|-----|-----|
| | 1 | 2 | 3 | 4 | 5 |
| 1 | Ilco DL | YES | | YES | YES |
| | GMS | | YES | | |
| | AO | YES | | YES | |
| 2 | Ilco DL | | | | |
| | GMS | | YES | | |
| | AO | YES | | YES | YES |
| 3 | Ilco DL | YES | | | |
| | GMS | | YES | | |
| | AO | | | | |

2 Moving to a Different Shoulder Pin Hole

- Pull out the shoulder pin. Turn the cylinder over and dump out the spring.
- Move the spring and shoulder pin into the correct hole for the tailpiece.

3 Reassembling the Cylinder

- Install the c-washer and retaining nut on the correct tailpiece.
- Reassemble by holding down the shoulder pin and screwing down the retaining nut.
- Screw on the retaining nut until tight, then unscrew by one or two notches.
- Insert key into the cylinder and operate. If turning is stiff, unscrew retaining nut by an additional notch.
- Pull out the key. If it will not pull out easily, tighten the retaining nut by one or two notches.
- See our chart **EDICompatible Key-In Deadbolt Cylinders** for help selecting a cylinder with your required keyway.



Key In Knob/Lever Compatible Cylinders

See our **TECH NOTES: EDI** The Use of Compatible Key-In-Deadbolt Cylinders for proper tailpiece selection and installation.

All Cylinders are 6 Pin.

US4 = Satin Brass
US26D = Brushed Chrome

KD = Keyed Different



| | Ilco | | | GMS | | | General Lock | | |
|-----------------------------|-------------|----------|--------|------------|----------|--------|---------------------|----------|--------|
| | Cylinder | Finish | Keying | Cylinder | Finish | Keying | Cylinder | Finish | Keying |
| Arrow (1179) | 15995 AA | 4 or 26D | KD | K001 AW | 4 or 26D | KD | KLC 1599 AA | 4 or 26D | KD |
| Assa 62 | | | | K001 A62* | 4 or 26D | KD | | | |
| Assa Twin 6000 | | | | K001 AST* | 4 or 26D | KD | | | |
| Assa V10 | | | | K001 ASV* | 4 or 26D | KD | | | |
| Composite NA | 15995 NA | 4 or 26D | KD | | | | | | |
| Composite NB | 15995 NB | 4 or 26D | KD | | | | | | |
| Corbin 60 (100EH) | 15995 CA | 4 or 26D | KD | K001 CB | 4 or 26D | KD | KLC 1599 CA | 4 or 26D | KD |
| Corbin 67 (1001EN) | 15995 CB | 4 or 26D | KD | | | | | | |
| Corbin 77 (R1001EN) | 15995 CC | 4 or 26D | KD | | | | | | |
| Corbin (59A1-A2) | 15995 CD | 4 or 26D | KD | | | | | | |
| Corbin/Russwin (L4) | 15995 CE | 4 or 26D | KD | K001 CL4 | 4 or 26D | KD | | | |
| Dominion (1054F / S54F) | 15995 DA | 4 or 26D | KD | | | | | | |
| Eable (11929 / L100 / 700) | 15995 UB | 4 or 26D | KD | | | | | | |
| Falcon (1054 WB 1054 WC) | 15995 WA | 4 or 26D | KD | | | | | | |
| Harloc 700 | 15995 UB | 4 or 26D | KD | | | | | | |
| Ilco UA | 15995 UA | 4 or 26D | KD | | | | | | |
| Kwikset 1176 | 15995 KS | 4 or 26D | KD | K001 KW | 4 or 26D | KD | KLC 1599 KS | 4 or 26D | KD |
| Lockwood | 15995 LA | 4 or 26D | KD | | | | | | |
| Lori 80 (5 Pin) | 15995 UE | 4 or 26D | KD | | | | | | |
| Lori 90 (6 Pin Only) | 15995 UD | 4 or 26D | KD | | | | | | |
| Lori L100 | 15995 UB | 4 or 26D | KD | | | | | | |
| Russwin D1 (1011D1) | 15995 RB | 4 or 26D | KD | K001 RD1 | 4 or 26D | KD | KLC 1599 RB | 4 or 26D | KD |
| Russwin RA (5981R / N1011P) | 15995 RA | 4 or 26D | KD | | | | | | |
| Sargent LA (1007LA) | 15995 GA | 4 or 26D | KD | K001 SA | 4 or 26D | KD | KLC 1599 GA | 4 or 26D | KD |
| Sargent LA-LC | 15995 GB | 4 or 26D | KD | K001 SAX | 4 or 26D | KD | | | |
| Sargent LB | | | | K001 SLB | 4 or 26D | KD | | | |
| Sargent RA | | | | K001 RA | 4 or 26D | KD | | | |
| Sargent RA-RC | 15995 GC | 4 or 26D | KD | | | | | | |
| Schlage C (1145) | 15995 SC | 4 or 26D | KD | K001 SC | 4 or 26D | KD | KLC 1599 SC | 4 or 26D | KD |
| Schlage C123 (Everest) | 15995 EA | 4 or 26D | KD | K001 G23* | 4 or 26D | KD | | | |
| Schlage C145 (Everest) | 15995 EB | 4 or 26D | KD | K001 G45* | 4 or 26D | KD | | | |
| Schlage C-K | 15995 SX | 4 or 26D | KD | K001 SX | 4 or 26D | KD | KLC 1599 SX | 4 or 26D | KD |
| Schlage E (1145E) | 15995 SE | 4 or 26D | KD | K001 SCE | 4 or 26D | KD | KLC 1599 SE | 4 or 26D | KD |
| Schlage F (1145F) | 15995 SF | 4 or 26D | KD | K001 SCF | 4 or 26D | KD | | | |
| Schlage SF | 15995 SF | 4 or 26D | KD | | | | | | |
| Segal 9 (1022) | 15995 FA | 4 or 26D | KD | K001 SE | 4 or 26D | KD | | | |
| Weiser (P1555) | 15995 WE | 4 or 26D | KD | | | | KLC 1599 WA | 4 or 26D | KD |
| Weiser E | 15995 WA | 4 or 26D | KD | K001 WR | 4 or 26D | KD | | | |
| Yale 8 (999) | 15995 YA | 4 or 26D | KD | K001 YA | 4 or 26D | KD | | | |
| Yale GA | 15995 YG | 4 or 26D | KD | K001 YGA | 4 or 26D | KD | KLC 1599 YA | 4 or 26D | KD |